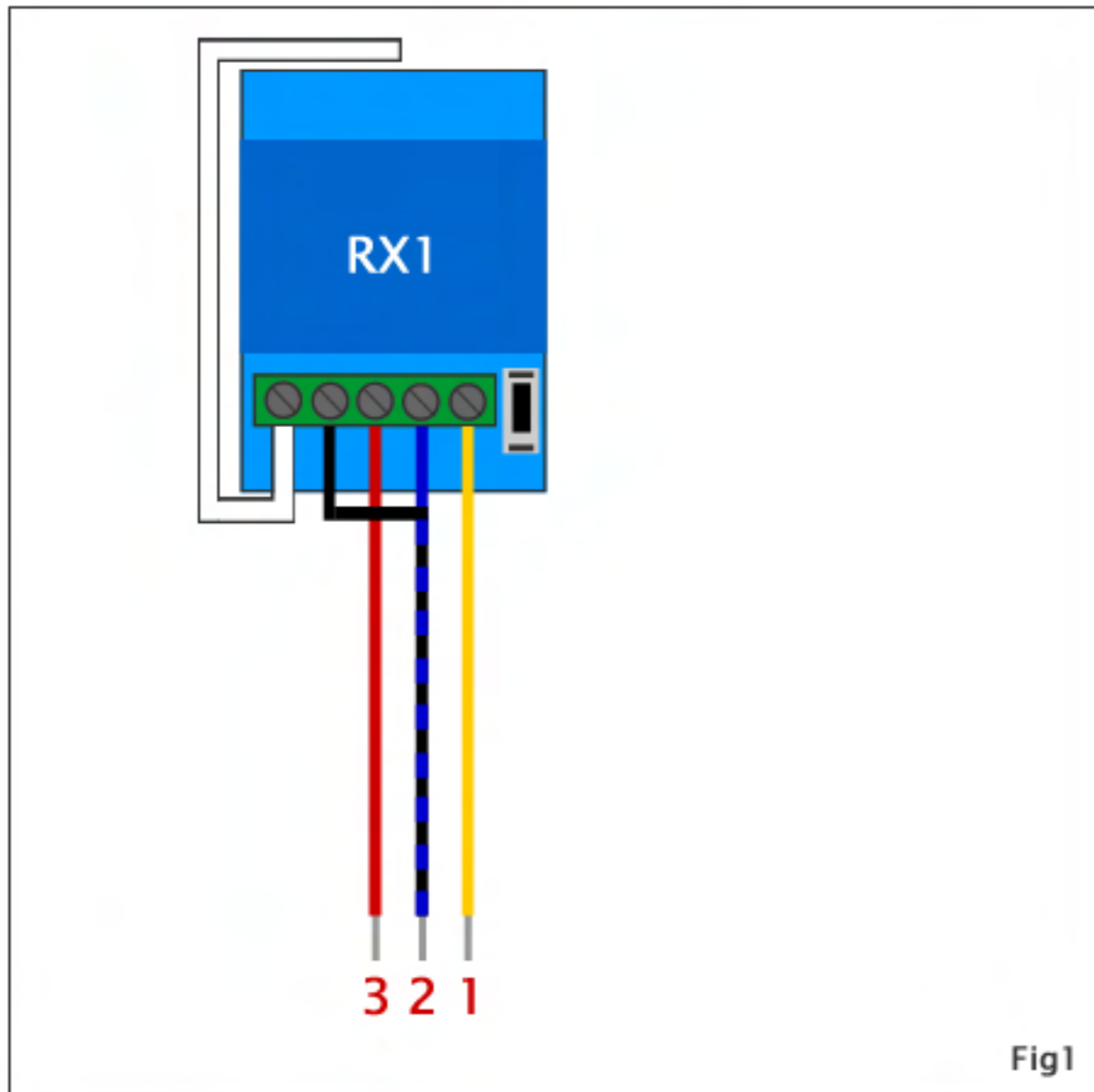


# Connecting RX1 Receiver to Chamberlain garage motor



Step 1.

Check all wiring is correct on receiver. See fig 1.

Step 2.

Connect Coloured wires to numbered terminals on the rear of the motor. See fig 2. for connections.

Step 3.

**\*\*\*CLEAR MEMORY FIRST BY HOLDING DOWN PROGRAM BUTTON UNTIL LED FLASHES AND GOES OUT - (AROUND 10 SECONDS)\*\*\***

Program the remotes in by pressing the program button on receiver for one second and release. (LED comes on). Then press the left button on the remote. (LED flashes to indicate successful program then goes out. See Fig 3.

Step 4.

Press button on remote which has been programmed in. Your garage door should now operate.

